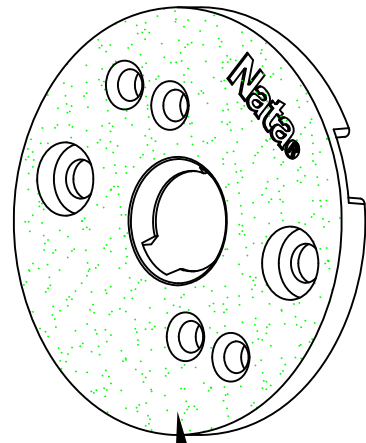
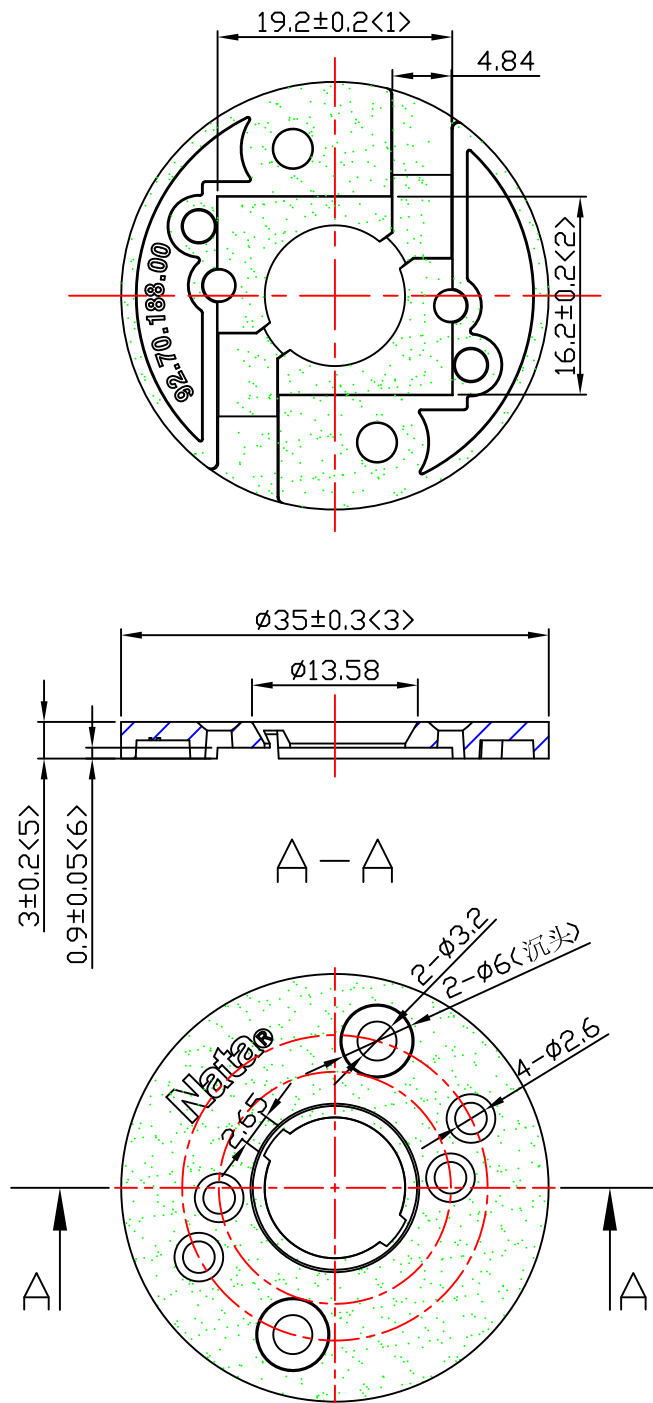


table for unmentioned tolerance in the drawing (unit: mm)					
0-5	5-30	30-120	120-250	250-400	400-700
±0.15	±0.2	±0.5	±0.8	±1.5	±2



产品表面做沙纹

					Material:PC		Nata[®] NATA Lighting Co.,Ltd	
Mark	Amended Times	Amended Content		Signature	Amended Date	Customer Item		
Control Version	A0	Design Version	K0	Client Version		Customer Code		NT
Designer		Drawing by		Proportion	1:1	Product Number		92.70.188.00
Technology		Auditor		View		Product Name		1203平面支架 D35xH3
Approval		Date	2019.05.14	Page	Total Page			